

EXPAND  
YOUR  
HORIZONS

Expand your horizons with this slim,  
thermally efficient sliding door.



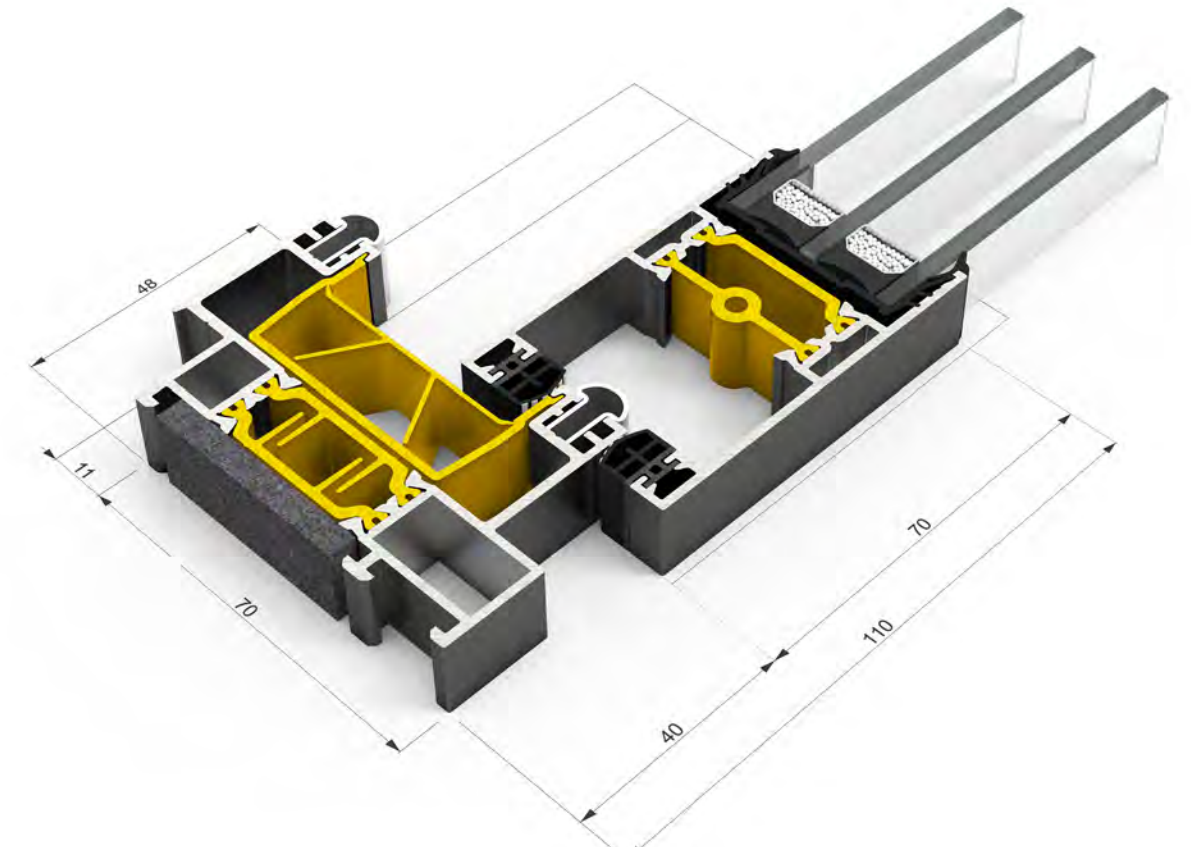
Silverline Windows Ltd  
Silverline Place  
91 Trinity Road  
London, N22 8YB  
T: 0208 881 6702  
F: 0208 881 6782  
E: [info@silverlinewindows.co.uk](mailto:info@silverlinewindows.co.uk)  
[www.silverlinewindows.co.uk](http://www.silverlinewindows.co.uk)







**EDGEGLIDE<sup>+</sup>**



**Size Limits**

Maximum Panel Width	2200 mm
Maximum Panel Height	2600 mm
Maximum Panel Weight	240 kg

**EDGEGLIDE<sup>+</sup>**

THE AMAZINGLY SLEEK NEW INLINE SLIDING DOOR

**Choose your design, choose your view.** EdgeGlide is the sleek sliding door which combines top quality, colour-matched hardware with elegant design. So the look of your door can match the look of your outdoors.



- Modern Square Look
- Ultra Slim 35mm Interlock
- Up to 2.2m x 2.6m per panel
- Stylish Colour-Matched Hardware
- U-Value From 1.2 W/m<sup>2</sup>K
- Double or Triple Glazing
- Multi-Point Locking
- 70mm Frame Depth For Easy Replacement
- Kit Frame and Sash Option For Full Site-Assembly

THRESHOLD HEIGHT	48 mm	
GLAZING THICKNESS	14 - 36 mm	
GLAZING METHOD	Wrap-Around	
GLAZING	Double or Triple	
SIGHTLINE (TYPICAL)	35 mm	
FRAME DEPTH	2 RAIL	70 mm
FRAME DEPTH	3 RAIL	126 mm

PERFORMANCE	
U-VALUE	From 1.2 W/m <sup>2</sup> K
AIR PERMEABILITY	Class 4
WATER TIGHTNESS	Class 7A
WIND RESISTANCE	Class C5
ENHANCED SECURITY	Multi-Point Locking
MAXIMUM ACOUSTIC INSULATION	40 dB Rw